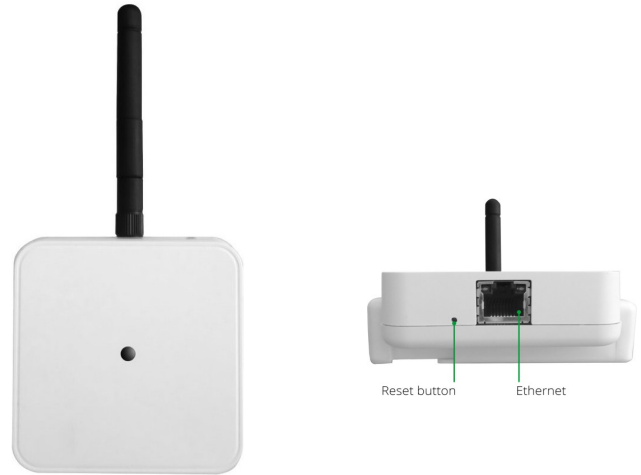




OMNIDIRECTIONAL Location Receiver

Real Time Location System (RTLS)

The Connectus Location Receiver is a reference device with a known position. Set of location Receivers creates the location infrastructure where mobile locators are located with +/- 2m accuracy. Location Receivers can also receive data from sensors equipped within the mobile locators such as acceleration, orientation, emergency response button.



Features

True 360° omni range

Atmospheric Pressure Sensor

UWB Radio Communication

IEEE 802.3af Compliant

Zero Warm Up Time

Robust Synchronization

DISCLAIMER

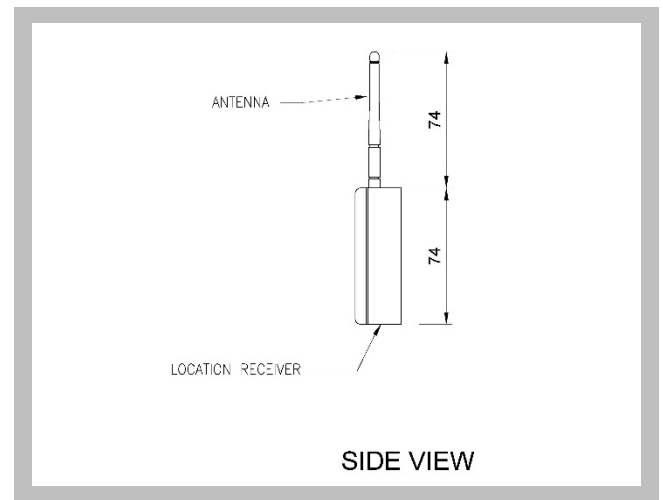
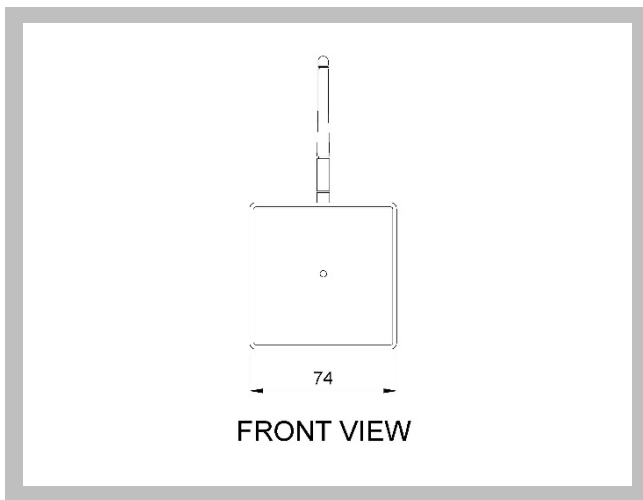
The information contained within this document is subject to change without prior notice. Connectus accepts no responsibility for any inaccuracies or omissions and specifically rejects any losses, liabilities, or risks, personal or otherwise, sustained as a consequence, directly or otherwise, of the use or application of anything contained within this document.



Technical Parameters

Size	74 x 74 x 25
Weight	72g
Power Supply	PoE 802.3af or DC 48V (Passive PoE)
Power Requirements	2.5W
Operating Conditions	-20°C - 60°C 20 - 85% Humidity without Condensation
Warm-Up Time	Immediate
Environment	Industrial, Warehouse Manufacturing, Retail, Sports Tracking
Placement	Indoor Outdoor Applicable in Weatherproof Enclosure
UWB Antenna	Omnidirectional
WiFi 2.4 GHz (optional)	Omnidirectional Antenna
UWB Radiated Power 4.5 - 6.5 GHz	-41.3 dBm/Hz
Backhaul	Ethernet or Wi-Fi
Certifications	RED/CE, FCC, UL, Class 1 Div. 1, Zone 1

Part Number	Name
ILS-LR015-10i	OmniLight Location Receiver



DISCLAIMER

The information contained within this document is subject to change without prior notice. Connectus accepts no responsibility for any inaccuracies or omissions and specifically rejects any losses, liabilities, or risks, personal or otherwise, sustained as a consequence, directly or otherwise, of the use or application of anything contained within this document.